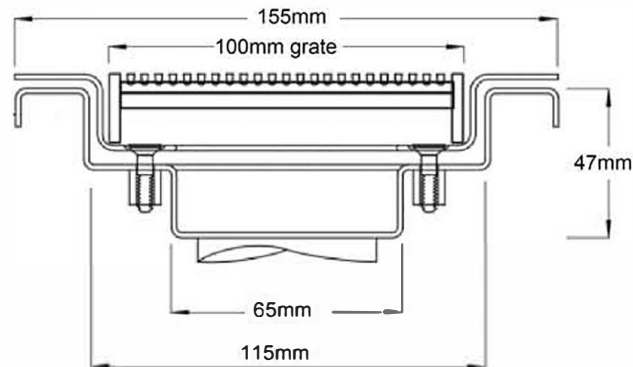


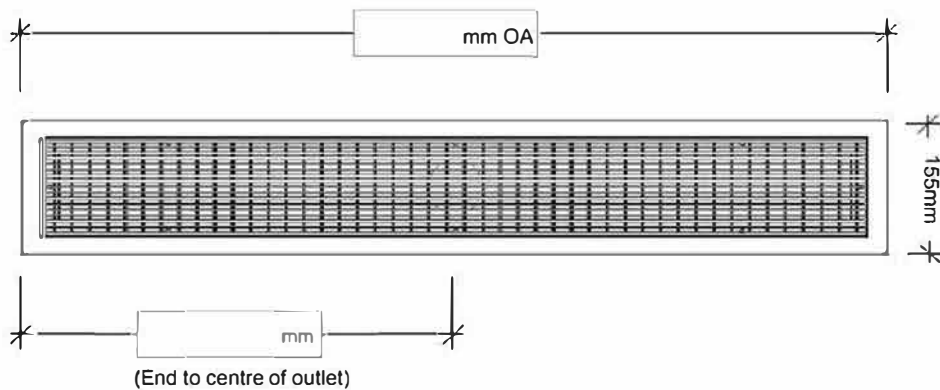


Vinyl Clamp (VC100-45)

Order / Quote Form



Specify Size, Outlet and Profile Required



Outlet Size

38mm 44mm 51mm

Please Note

- Refer to both AS3500 standard, and your local regulator for any specific outlet or drain requirements.
- Stainless Steel Grade is 316 marine grade
- The o/a length is from end of flange to end of flange
- The outlet position is taken from the the end of the flange to the centre of the outlet
- 10 Working day manufacture time

Full Name

Company Name

Telephone

Email Address

Order Number

Stormtech Quote Number

Signature