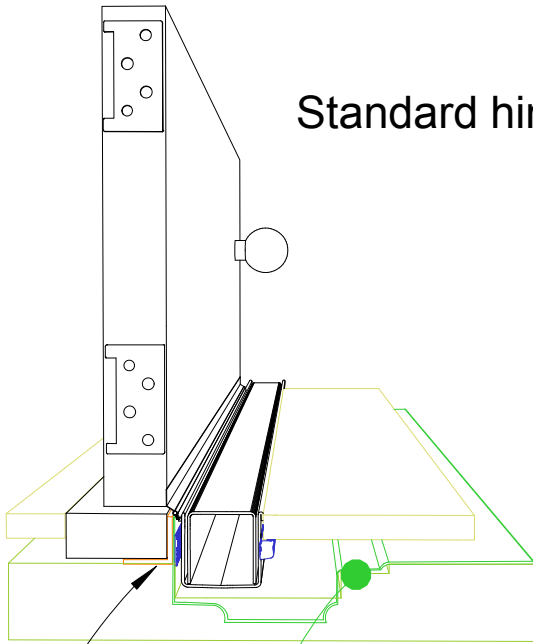


# 38MTL Threshold installation suggestion

For 38ARi409MTL, 38PSi40MTL and 38PHi40MTL

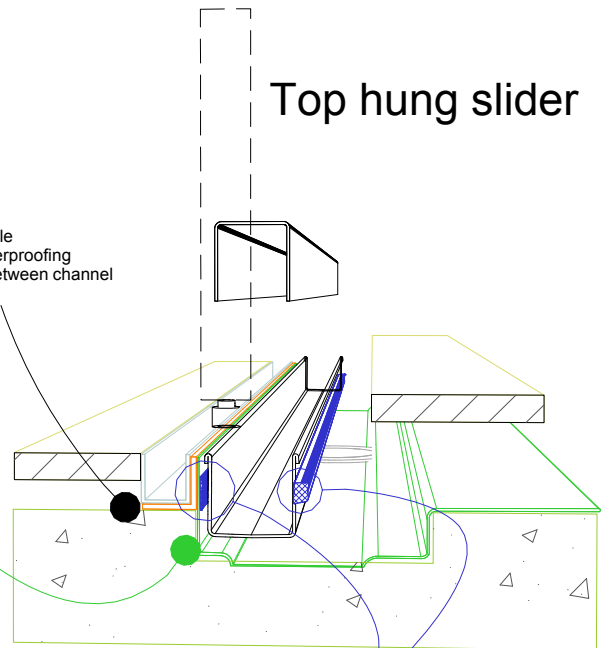


## Standard hinged door



Aluminium angle to support waterproofing and junction between channel and door sil.

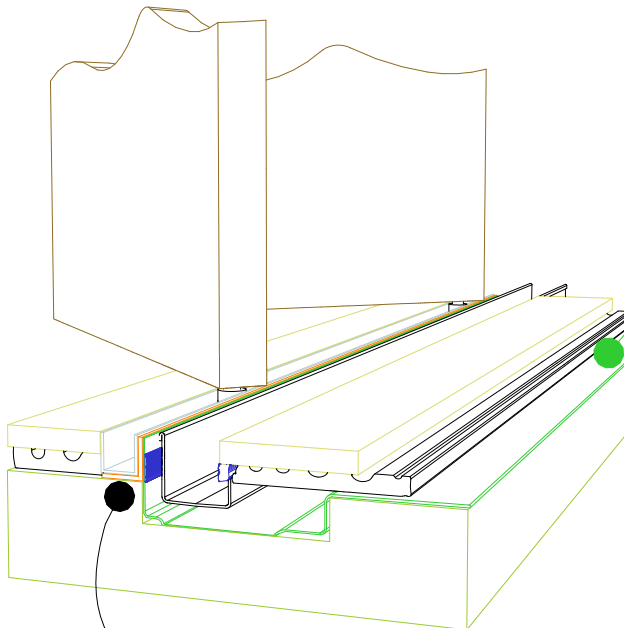
## Top hung slider



Aluminium angle to support waterproofing and junction between channel and door track.

## Waterproofing

## Bi-fold door



Aluminium angle to support waterproofing and junction between channel and door track.

For all types of threshold installation ensure both sides of the channel are sealed before laying tile.

**NOTE, ALWAYS ensure the waterproofing is completed before laying the Stormtech.**

NOTE, ensure weather stip is used on the appropriate side of the door to ensure drafts and moisture are minimised.

