

65G25 Concrete Floor or Deck

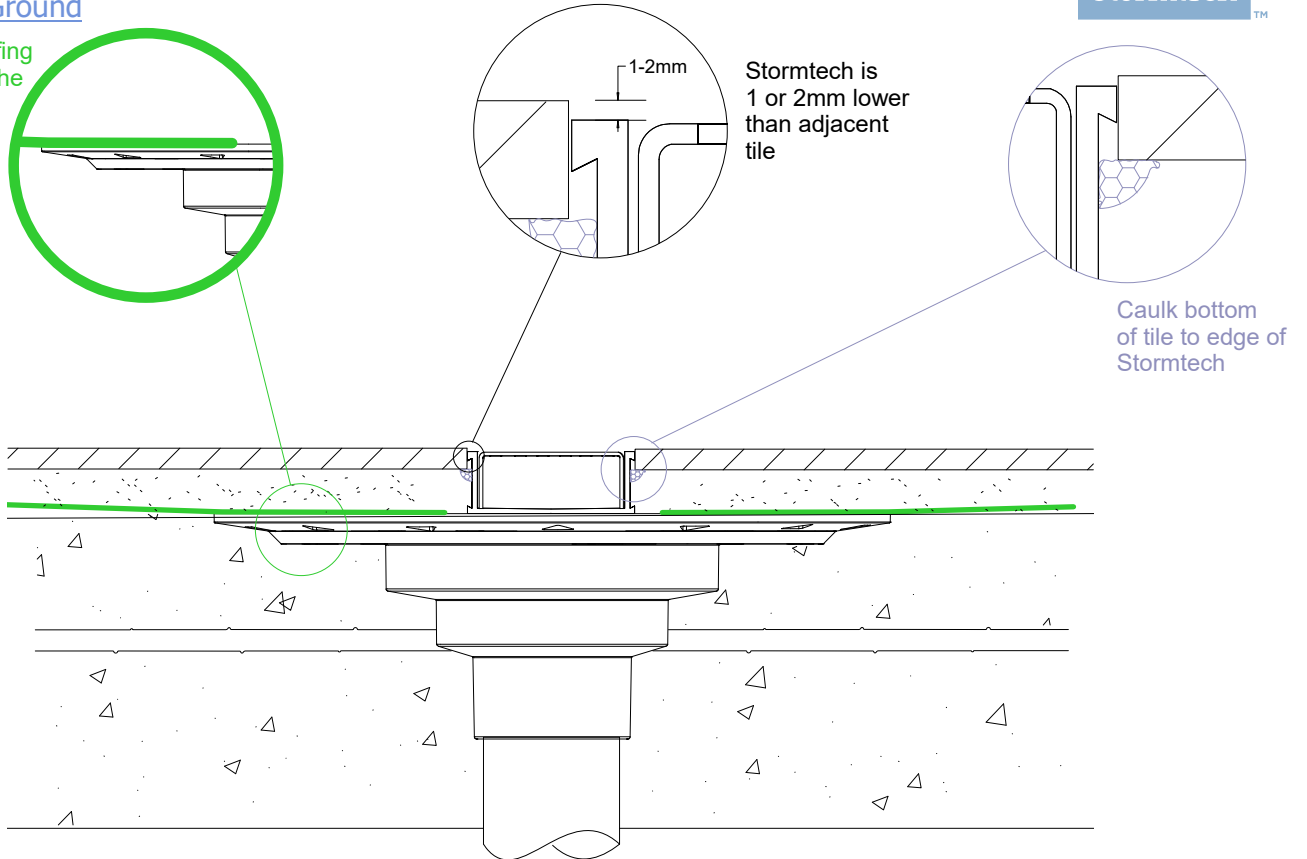
For 65ARGBL25, 65MNDGBL25, 65PHGBL25, 65PSGBL25, 65TRGBL25, and 65TRTiGBL25, 65PPSGBL25 & 65PPAGBL25.

NOTE, for INTERIOR use ONLY



Slab on Ground

Waterproofing is fixed to the floor flange



Suspended Slab

Tile

Tile glue or bed.

Waterproofing

Substrate

NOTE, waterproofing slopes towards the floor flange, with the flange as the lowest point in the waterproofing

