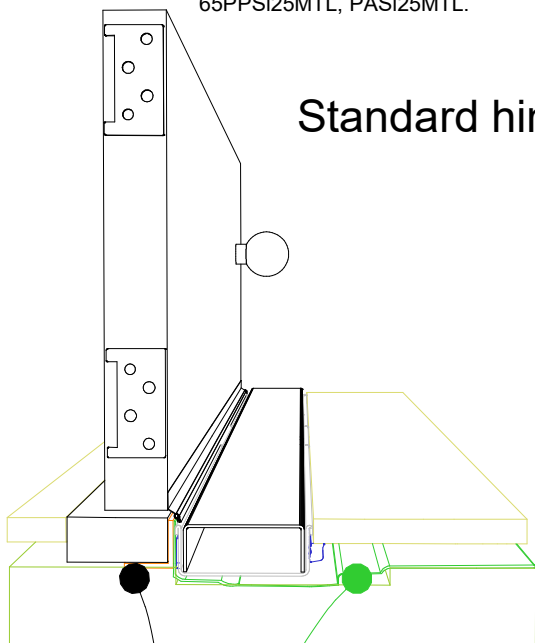


65i25MTL Threshold installation suggestion



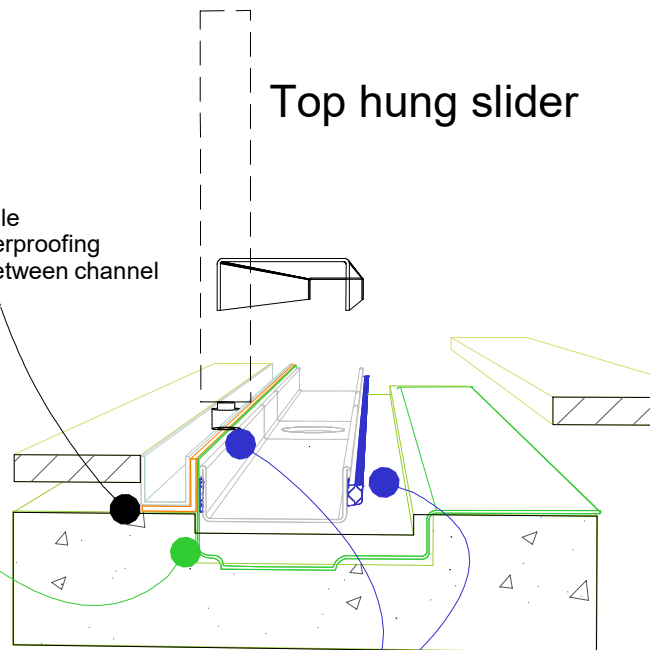
For 65ARi25MTL, 65ARiCO25, 65MNDi25MTL, 65MNDiCO25MTL, 65MNDiCO25, 65PHi25MTL, 65PHi25MTL, 65PSi25CO, 65PSi25MTL, 65PSiCO25, 65TRi25MTL, 65FTi25MTL and 65TRiCO25, 65PPSi25MTL, PASi25MTL.

Standard hinged door



Aluminium angle to support waterproofing and junction between channel and door sil.

Top hung slider

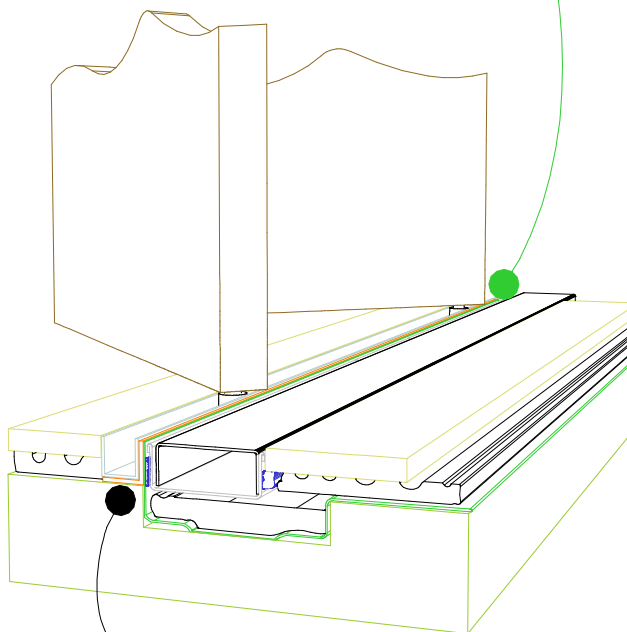


Aluminium angle to support waterproofing and junction between channel and door track.

Waterproofing

For all types of threshold installation ensure both sides of the channel are sealed before laying tile.

Bi-fold door



Aluminium angle to support waterproofing and junction between channel and door track.

NOTE, ALWAYS ensure the waterproofing is completed before laying the Stormtech.

NOTE, ensure weather stip is used on the appropriate side of the door to ensure drafts and moisture are minimised.

